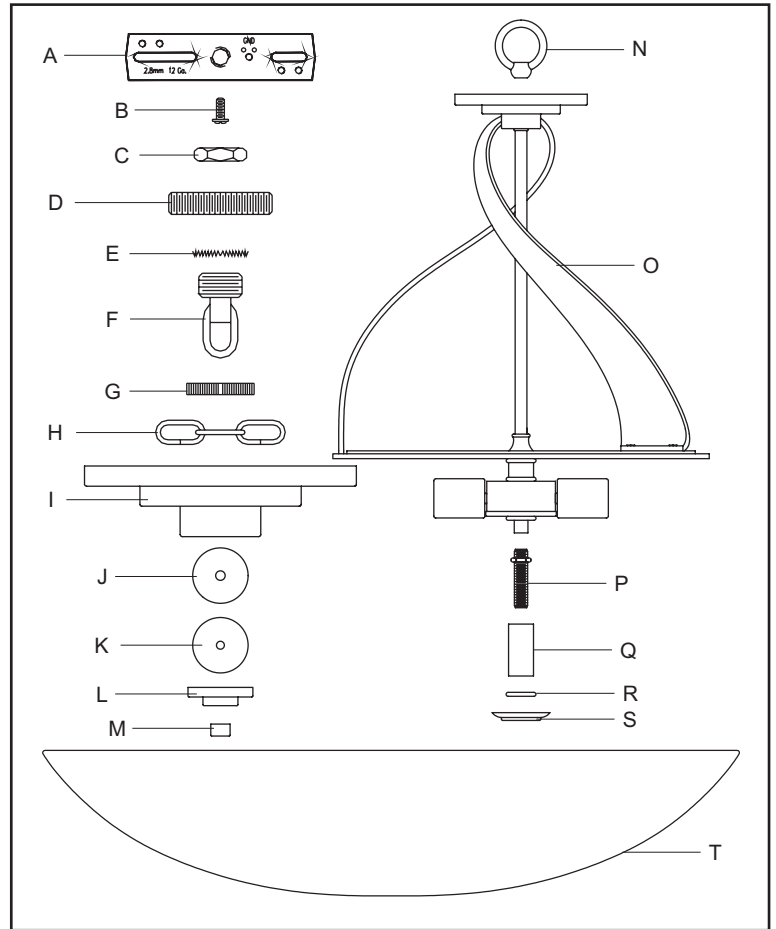


**PACKAGE CONTENTS**

ISSUED 03-2010

Part	Description	Quantity
A	Crossbar	1pc
B	Green Ground Screw	1pc
C	Hex Nut	3pcs
D	Nipple	1pc
E	Lock Washer	2pcs
F	Canopy Chain Loop	1pc
G	Canopy Lock Ring	1pc
H	Fixture Chain	1pc
I	Ceiling Canopy	1pc
J	Plastic Washer	1pc
K	Flat Washer	1pc
L	Cap	1pc
M	Finial	1pc
N	Fixture Loop	1pc
O	Fixture Assembly	1pc
P	Nipple with Hex Nut	1pc
Q	Spacer Tube	1pc
R	Check Ring	1pc
S	Shade Stop	1pc
T	Shade	1pc



**! WARNINGS AND CAUTIONS**

**WARNING:**

- Before beginning the installation, turn off electricity at the circuit breaker box or the main fuse box by switching off the circuit breaker or removing the fuse.

**CAUTIONS:**

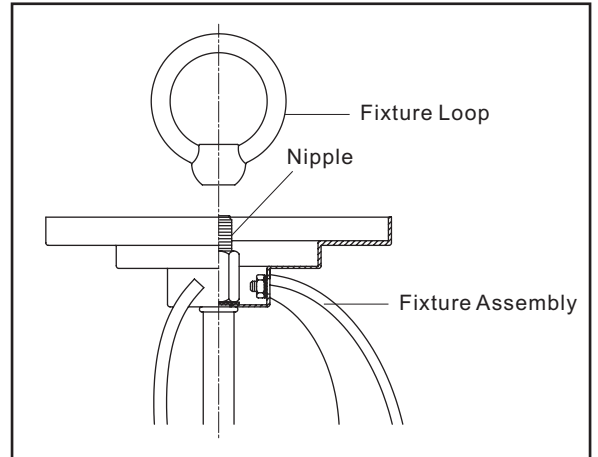
- These instructions are provided for your safety. It is very important that they are read completely before the installation of your fixture. We strongly recommend that a professional electrician install the fixture.
- Disconnect fixture from the power source before replacing the bulb(s), making sure the bulb(s) had sufficient time to cool down. DO NOT subject the lamp to any shock while lit as shattering of lamp may result.

**PREPARATION**

- Before beginning installation of product, make sure all parts are present. Compare parts with package contents list and diagram above. If any part is missing or damaged, do not attempt to assemble, install or operate the product. Contact customer service for replacement part.
- Estimated Assembly Time: 30 - 45 minutes
- Tools Required for Assembly (not included): Flathead screwdriver, Phillips screwdriver, Pliers, Electrical tape, Wire cutters, Safety glasses & (5) 75W A19 medium base bulbs.
- Helpful Tools (not included): Wire strippers.

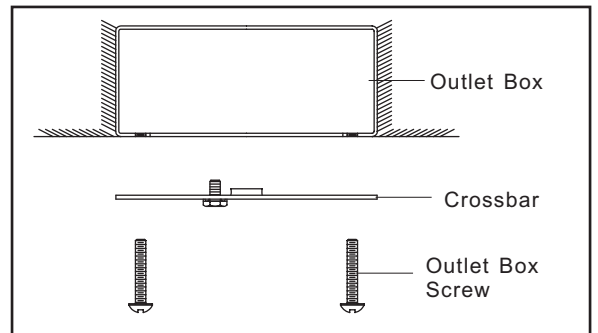
**STEP 1:**

- a. Thread the Fixture Loop onto the Nipple in the top center of the Fixture Assembly. Hand-tighten until snug.



**STEP 2:**

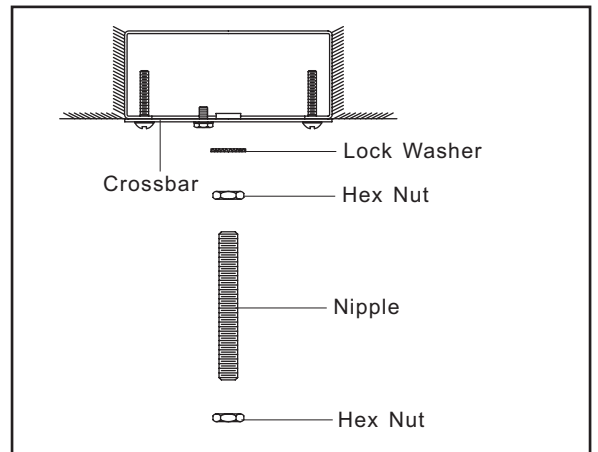
- a. Secure the Crossbar onto the Outlet Box with Outlet Box Screws. Tighten until snug.



**STEP 3:**

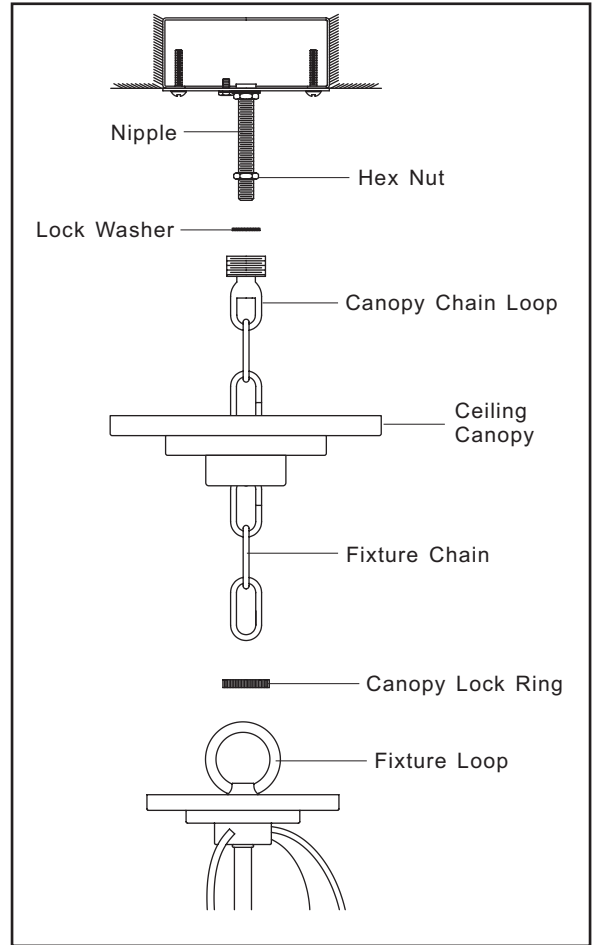
\* Pliers is required on this step.

- a. Thread one Hex Nut onto top end of the Nipple.
- b. Place one Lock Washer over the top end of the Nipple and then thread the Nipple into the center lock hole of the Crossbar.
- c. Using pliers, thread the Hex Nut against the crossbar and hand tighten until snug.
- d. Thread another Hex Nut onto the bottom end of the Nipple.



**STEP 4:**

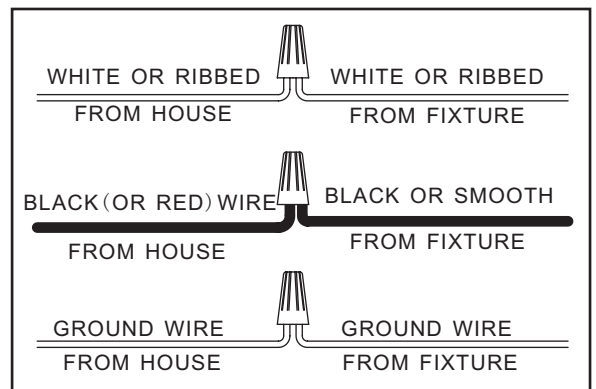
- a. Adjust the Fixture Chain to your desired length by removing the links if needed.
  - \* Please note that depends on chain material thickness, you might be required to use chain pliers to spread links open.
- b. Pull the supply wires through the Fixture Chain alternating links. And then pull the wires through the following components in turn :  
Canopy Lock Ring, Ceiling Canopy, Canopy Chain Loop, Lock Washer, and Nipple.
- c. Place Lock Washer over the end of the Nipple and thread the Canopy Chain Loop onto the end of the Nipple.
- d. Using plier, thread the Hex Nut against the Canopy Chain Loop and tighten until snug.
- e. Attach one end of the Fixture Chain onto the Fixture Loop and attach the another end of the chain onto the Canopy Chain Loop.
- f. Refer to Step 5 – Wire Connections to connect wires.
- g. Push the Ceiling Canopy upward over the Outlet Box.
- h. Thread the Canopy Lock Ring onto the Canopy Chain Loop and tighten until snug to secure the Ceiling Canopy.



**STEP 5:**

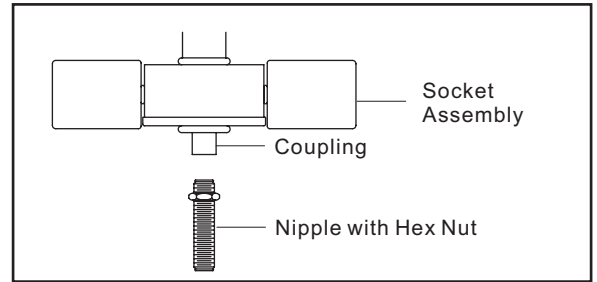
\*Use Wire Connectors (not supplied) to connect the wires.

- a. Connect the House Ground Wire to the Fixture Ground Wire.
- b. Connect the House White (or Ribbed) Wire to the Fixture Supply Wire (White or Ribbed Side).
- c. Connect the House Black(or Red) Wire to the Fixture Supply Wire (Black or Smooth Side).
- d. Wrap each connection with approved electrical tape and carefully stuff all of the connected wires into the Outlet Box.



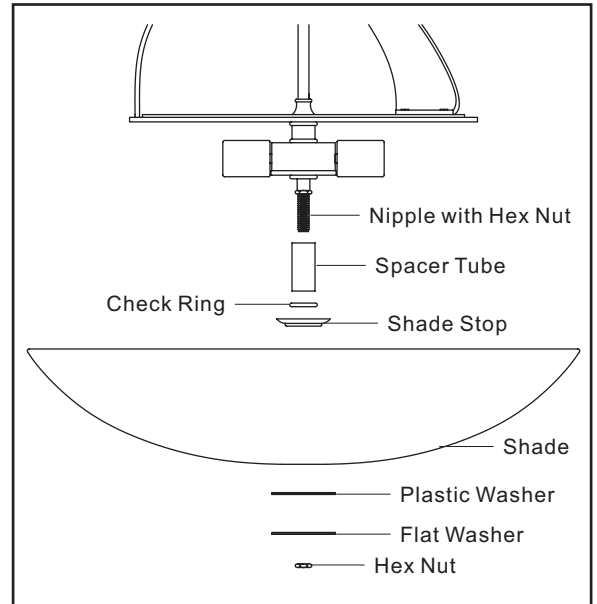
**STEP 6:**

- a. Screw the Hex Nut end of the Nipple with Hex Nut into the Coupling underside of the Socket Assembly. Using pliers, thread the Hex Nut against the Coupling and tighten until snug.



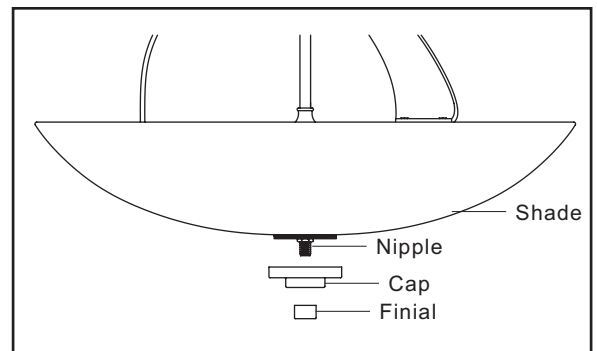
**STEP 7:**

- a. Place the Spacer Tube, the Check Ring, the Shade Stop, the Shade, the Plastic Washer and the Flat Washer over the end of the Nipple with Hex Nut. Secure them by threading the Hex Nut onto the end of the nipple. Tighten gently until snug.



**STEP 8:**

- a. Place the Cap over the end of the Nipple extruding from the bottom center of the Shade. Secure by threading the Finial onto the nipple and hand-tighten until snug.



**STEP 9:**

- a. Install correct bulbs referring to fixture markings and/or labels for maximum wattage.

Your installation is completed now. Restore electricity. Retain this sheet for future reference.