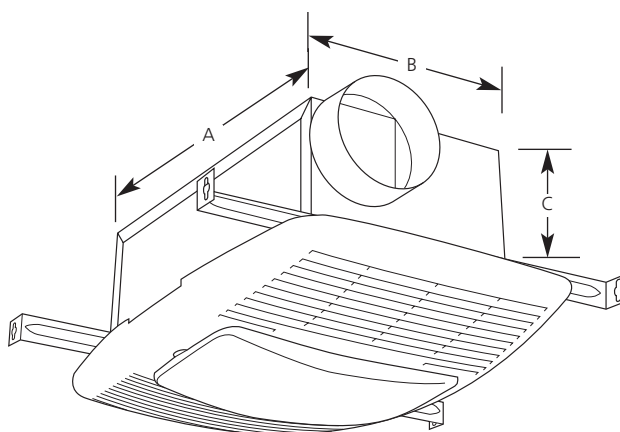


Type \_\_\_\_\_  
 -30  
 PV006

Catalog No.	Finish		Lamping	Capacity	Sones	Volts	Heater	Amps	Dimensions (Inches)		
	White								A	B	C
PV006	-30		1-100 (m)	70 CFM	4.0	120v	1100w	11.25a	14	8-1/2	6-1/4



**Specifications:**

Trim/Grille

- One piece white polymeric plastic
- Two louvered areas are divided by the lamp diffuser, one side is for heater, the other for the vent
- Single center mount to housing
- Dimensions - 12" wide, 17" long, 2" deep (Including diffuser)

Diffuser

- White polycarbonate
- Snaps into Trim/Grille

Housing

- Mounts to ceiling joists, or in a suspended ceiling
- Can be mounted in sloped ceilings up to a 12/12 pitch
- Galvanized steel
- 26 gage
- Mounting brackets with keyhole slots, and holes for ceiling wires
- Removable wiring cover for easy connections
- Internal wiring plate allows either top or side hole for conduit or BX fitter
- No KO's to remove
- Tapered sleeve polymeric 4" round duct fitting for positive connection
- Quiet polymeric damper to prevent cold backdrafts with no metallic clatter

Motor

- 120 volt, 1.15 amp, permanently lubricated
- Plug in for ease of servicing
- Snaps in or out for ease of cleaning and servicing - no screws
- Specially designed polymeric blower wheel

Heater

- 1100 watt nickel chrome resistance heater
- The heater is a plug in modular unit for ease of replacement if necessary.
- The fan motor is an open C frame configuration with a five blade fan
- The heater is mounted in a separate housing at one end of the main housing

Lamping

- 100 watt lamp
- Medium based socket

Labeling

- UL-CUL listed. Also listed for use over bathtubs and showers when connected to a GFCI protected branch circuit
- UL listed for use in insulated ceilings (IC listing)
- Air and Sound ratings are certified by HVI

Note: HVI-2100 certified ratings comply with current testing technologies and procedures by the Home Ventilating Institute for off the shelf products that are available to consumers. Product performance is rated at 0.1 in. static pressure, based on tests conducted in AMCA's state of the art test laboratory. Sones are a measure of humanly perceived loudness based on laboratory tests.

Progress Lighting  
 Post Office Box 5704  
 Spartanburg, South Carolina  
 29304-5704

www.progresslighting.com

