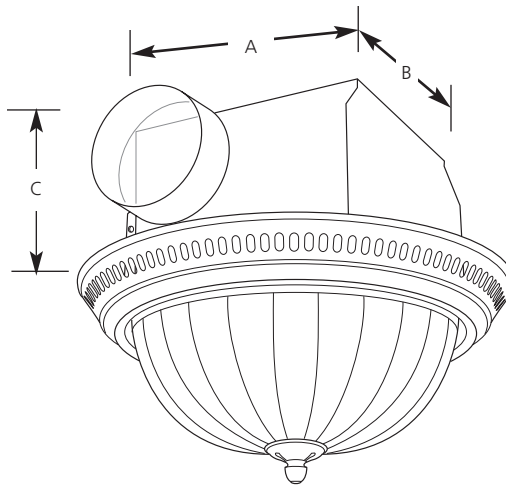


	Type _____				
	-09	-10	-30	-33	-74
PV005	<input type="checkbox"/>	<input type="checkbox"/>	<input type="checkbox"/>	<input type="checkbox"/>	<input type="checkbox"/>

Catalog No.	Finish					Lamping	Capacity	Sones	Volts	Amps	Housing Dimension (Inches)		
	Brushed Nickel	Polished Brass	White	Cobble- stone	Venetian Bronze						A	B	C
PV005	-09	-10	-30	-33	-74	2-60 (m)	70 CFM	3.5	120v	2.2a	8	8-1/4	5-3/4



Specifications:

Trim/Grille

- One piece steel
- Plated (-10, -24 and -74) and painted (-30 and -33) finishes
- Center mount to housing
- Dimensions - 13-3/8" diameter and 5-7/8" deep (Including diffuser)

Diffuser

- Satin white glass
- Center mounts to Trim,/Grille
- Center finial matches trim finish

Housing

- Mounts to ceiling joists, or in suspended ceilings
- Can be mounted in sloped ceilings up to a 12/12 pitch
- Galvanized steel
- 26 gauge
- Mounting brackets with keyhole slots, and holes for ceiling wires
- Removable wiring cover for easy connections
- Internal wiring plate allows either top or side hole for conduit or BX fitter
- No KO's to remove
- Polymeric 4" round duct fitting for positive connection
- Quiet polymeric damper to prevent cold backdrafts with no metallic clatter

Motor

- 120 volt, 1.15 amp, permanently lubricated
- Plug in for ease of servicing
- Snaps in or out for ease of cleaning and servicing – no screws
- Specially designed polymeric blower wheel

Lamping

- Two 60 watt lamps
- Medium based sockets

Labeling

- UL-CUL listed.
- UL listed for use in insulated ceilings (IC listing)
- Air and Sound ratings are certified by HVI

Note: HVI-2100 certified ratings comply with current testing technologies and procedures by the Home Ventilating Institute for off the shelf products that are available to consumers. Product performance is rated at 0.1 in. static pressure, based on tests conducted in AMCA's state of the art test laboratory. Sones are a measure of humanly perceived loudness based on laboratory tests.