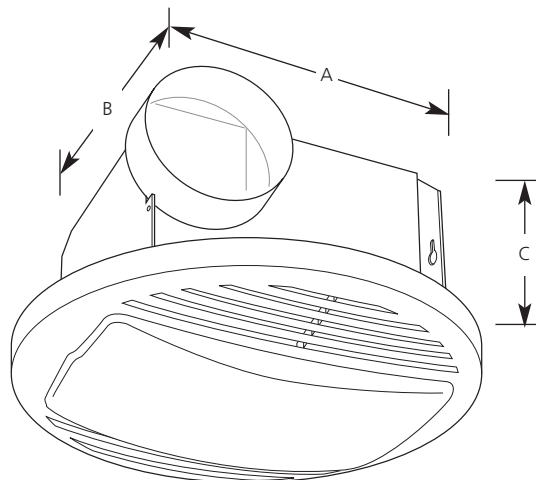


Type _____
 -30
 PV003

Catalog No.	Finish		Lamping Capacity	Sones	Volts	Amps	Housing Dimensions (Inches)		
	White						A	B	C
PV003	-30	1-100 (m)	50 CFM	3.5	120v	1.54a	7-3/4	6-3/4	5-3/4



Specifications:

Trim/Grille

- One piece white polymeric plastic
- Single hidden center mount to housing
- Dimensions – 12-1/2" dia., 1-3/4" deep (Including diffuser)

Diffuser

- White Acrylic
- Snaps into Trim,/Grille

Housing

- Mounts to ceiling joists, or in a suspended ceiling
- Can be mounted in sloped ceilings up to 12/12 pitch
- Galvanized steel
- 26 gauge
- Mounting brackets with keyhole slots, and holes for ceiling wires
- Removable wiring cover for easy connections
- Internal wiring plate allows either top or side hole for conduit or BX fitter
- No KO's to remove
- Polymeric 4" round duct fitting for positive connection
- Quiet polymeric damper to prevent cold backdrafts with no metallic clatter

Motor

- 120 volt, 0.70 amp, permanently lubricated
- Plug in for ease of servicing
- Snaps in or out for ease of cleaning and servicing – no screws
- Specially designed polymeric blower wheel

Lamping

- 100 watt lamp
- Medium based socket

Labeling

- UL-CUL listed. Also listed for use over bathtubs and showers when connected to a GFCI protected branch circuit
- UL listed for use in insulated ceilings (IC listing)
- Air and Sound ratings are certified by HVI

Note: HVI-2100 certified ratings comply with current testing technologies and procedures by the Home Ventilating Institute for off the shelf products that are available to consumers. Product performance is rated at 0.1 in. static pressure, based on tests conducted in AMCA's state of the art test laboratory. Sones are a measure of humanly perceived loudness based on laboratory tests.

Progress Lighting
 Post Office Box 5704
 Spartanburg, South Carolina
 29304-5704

www.progresslighting.com

