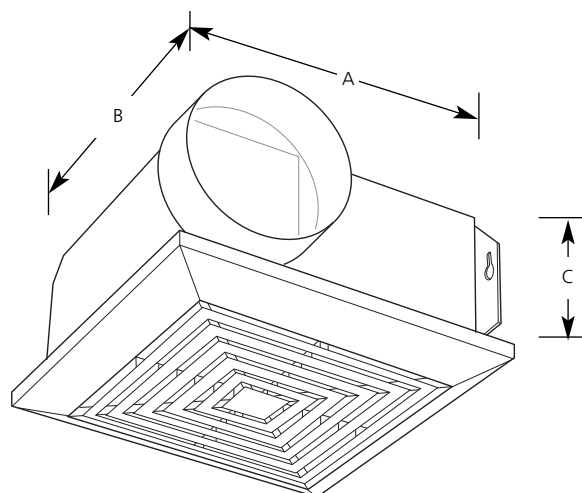


Type \_\_\_\_\_  
 -30  
 PV002

Catalog No.	Finish	Capacity	Sones	Volts	Amps	Housing Dimensions (Inches)		
	White					A	B	C
PV002	-30	70 CFM	6.0	120v	1.15a	7-3/4	6-3/4	4



### Specifications:

#### Trim/Grille

- One piece white polymeric plastic
- Torsion spring mounting – no tools needed
- Dimensions – 8-1/2" square, 7/8" deep

#### Housing

- Mounts to ceiling or wall joists
- Galvanized steel
- 25 gauge
- Double strength mounting flanges with keyhole slots
- Removable wiring cover for easy connections
- Unique internal flap exposes either top or side hole for conduit or BX fitter
- No KO's to remove
- Polymeric 4" round duct fitting for positive connection
- Quiet polymeric damper to prevent cold backdrafts with no metallic clatter

#### Motor

- 120 volt, 1.15 amp, permanently lubricated
- Plug in for ease of servicing
- Snaps in or out for ease of cleaning and servicing – no screws
- Specially designed polymeric blower wheel

#### Labeling

- UL-CUL listed Also listed for use over bathtubs and showers when connected to a GFCI protected branch circuit
- Air and Sound ratings are certified by HVI

Note: HVI-2100 certified ratings comply with current testing technologies and procedures by the Home Ventilating Institute for off the shelf products that are available to consumers. Product performance is rated at 0.1 in. static pressure, based on tests conducted in AMCA's state of the art test laboratory. Sones are a measure of humanly perceived loudness based on laboratory tests.

Progress Lighting  
 Post Office Box 5704  
 Spartanburg, South Carolina  
 29304-5704

www.progresslighting.com



Rev. 2/04