



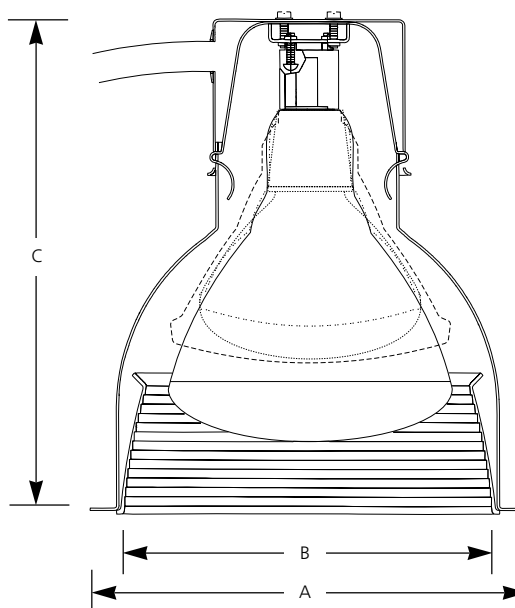
Incandescent

**6" Step Baffle
Non-IC**

Recessed

Type _____
 -30 -31
 P6625

Catalog No.	Baffle		Dimensions (Inches)		
	White	Black	A	B	C
P6625	-30	-31	7-7/16	6-1/4	8-1/4



Lamp Wattage

Housing	IC	Non-IC
P11TG	N/A	75PAR30, 85BR30, 150PAR38, 120BR40
P111TG	N/A	75PAR30, 85BR30, 150PAR38, 120BR40

Specifications:

Flange

- Bright white powder coated flange
- No light leaks around trim flange
- Flange covers irregular ceiling openings

Trim

- One piece aluminum construction
- Designed for use with 75w PAR30, 85w BR30, 150w PAR38 or 120w BR40 lamps
- Socket cup mounts to trim for optimum performance and consistent lamp position
- Trim allows for two socket cup positions to adjust spread of light output

Options

- White Baffle - specify P6625-30
- Black Baffle - specify P6625-31

Labels

- UL-CUL damp location listed

Photometrics

- Refer to Lamp Application Data for:
 - BR30 & PAR30
 - PAR38 & BR40

Progress Lighting
 Post Office Box 5704
 Spartanburg, South Carolina
 29304-5704

www.progresslighting.com

Rev. 4/99



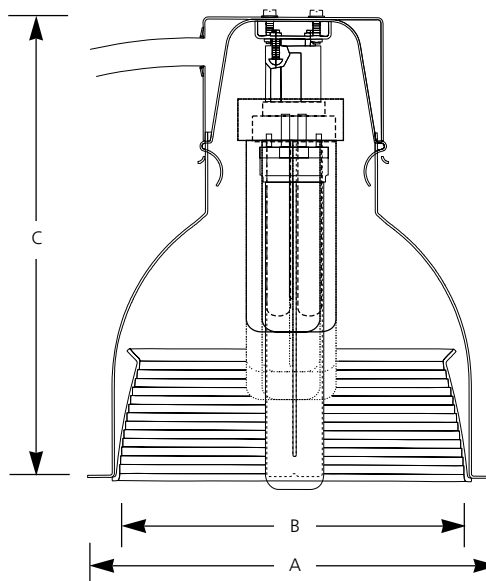
Compact Fluorescent

**6" Step Baffle
Vertical Lamp
Non-IC**

Recessed

Type _____
 -30 -31
 P6625

Catalog No.	Baffle		Dimensions (Inches)		
	White	Black	A	B	C
P6625	-30	-31	7-7/16	6-3/8	8-1/4



Lamp Wattage

Housing	IC	Non-IC
P13	N/A	13 Twin/Quad
P26	N/A	26 Quad
P632-EB	N/A	26, 32 or 42 Triple Tube

Specifications:

Flange

- Bright white powder coated flange
- No light leaks around trim flange
- Flange covers irregular ceiling openings

Reflector

- One piece aluminum construction
- Designed for use with 13w Twin, 13 or 26w Quad CF and 26, 32, or 42w Triple tube lamps
- Socket cup mounts to trim for optimum performance and consistent lamp position
- Trim allows for two socket cup positions to adjust spread of light output

Options

- White Baffle - specify P6625-30
- Black Baffle - specify P6625-31

Labels

- UL-CUL damp location listed
- Meets Energy Star requirements when used with P632-EB housing



Progress Lighting
 Post Office Box 5704
 Spartanburg, South Carolina
 29304-5704

www.progresslighting.com

Rev. 4/99

