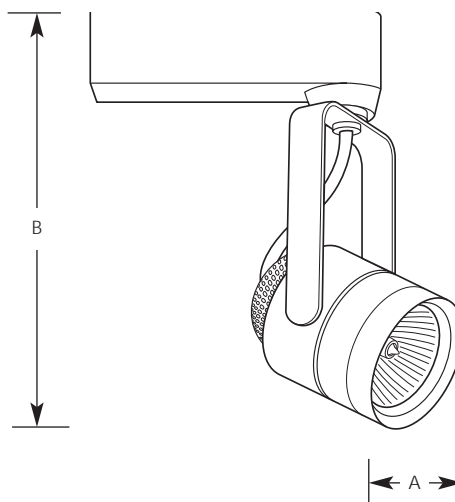


Type _____
-09
P6101

Catalog No.	Finish	Lamping	Dimensions (Inches)	
	Brushed Nickel		A	B
P6101	-09	12v-50wMR16(Incl)	2-1/2	8



Specifications:

Track Lock Up & Transformer housing

- For use with Alpha (P9100 series) track
- Cast aluminum housing
- Polarity oriented
- Quarter turn fastening to track
- Locks to track to prevent accidental removal

Transformer

- 120v to 12v electronic transformer
- Transformer is potted for minimum noise, low heat and protection of components

Labeling

- UL-CUL dry location listing

Track Head

- Yoke mounted open back style with perforated metal shield
- Permanently wired and affixed to the transformer housing
- 58 degree rotation
- 0 to 90 degree vertical swing
- Steel construction
- Clear lens protects lamp
- GU5.3 bi pin lamp base included

Photometrics

- Refer to MR16 lamp application data