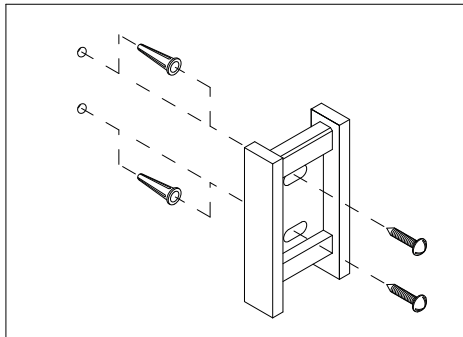
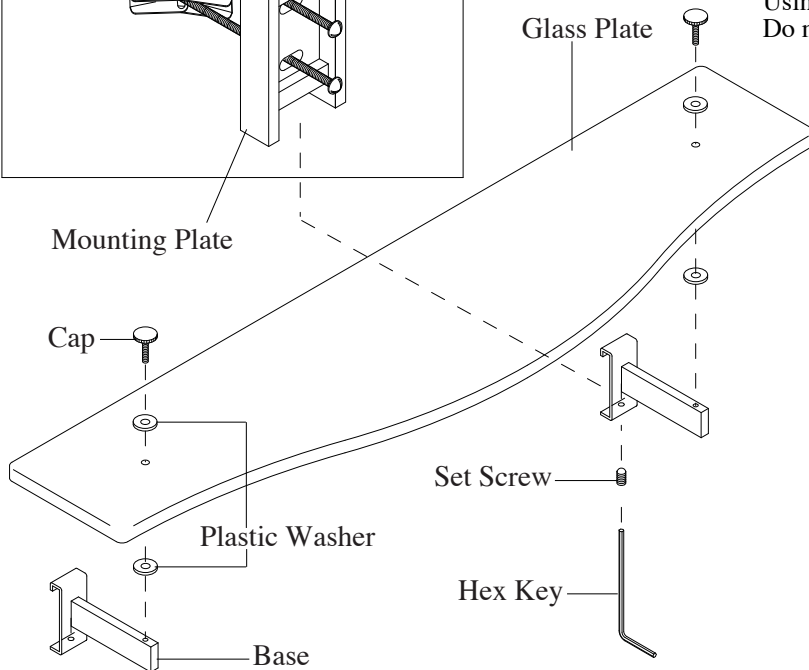
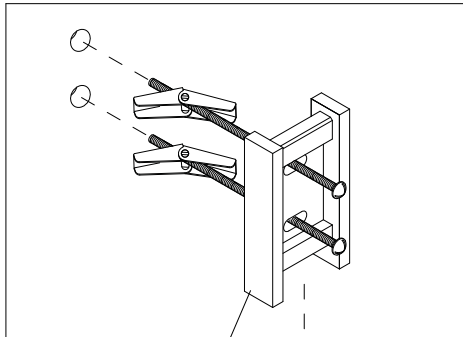


WOOD WALL or MANSIONRY WALL or TILE ON MANSIONRY WALL INSTALLATION:



DRY WALL or TILE ON DRY WALL INSTALLATION:



1. Mount glass plate onto two bases by placing plastic washer above and below glass plate and then fastening with cap.
2. Hold the product on desired wall location and lightly mark outline of each base. Place mounting plate in vertical position at center of marked outline and mark a dot at center of each of it's two slotted holes. NOTE: See Fig.1 for correct position of mounting plate. Repeat other side. Make certain the two set of vertical dots are lined horizontally to each other. Suggest use of a leveler.
3. **Dry wall or Tile on Dry Wall Installation:** Pre-drill holes using 3/8" drill bit. (Tile on dry wall installation requires 3/8" masonry drill bit)

Wood Wall Installation: Pre-drill holes using 1/8" drill bit.

Masonry Wall or Tile on Masonry Wall Installation: Pre drill holes using 3/16" masonry drill bit)

4. **Dry Wall or Tile on Dry Wall Installation:** Insert machine screws thru two slotted holes in mounting plate. Thread butterfly anchors into machine screws as shown in diagram. Pinch together the ends of butterfly anchors and push into predrilled 3/8" holes until anchors spring open inside of wall. While pulling mouting plate away from wall, tighten screws with a screw driver.

Wood Wall Installation: Insert sheet metal screws thru two slotted holes in mounting plate. Fasten screws directly into predrilled 1/8" holes.

Masonry or Tile on Masonry Wall Installation: Insert plastic anchors into pre-drilled 3/16" holes. Insert sheet metal screws thru two slotted holes in mounting plate. Fasten screws into plastic anchors.

5. Mount the product onto mounting plate and tighten set screw at bottom of base with provided hex key.

Care and Cleaning Instructions

Using a soft cloth or sponge wash with warm and soapy water. Do not use abrasive cleaners or cleaner containing bleach.

