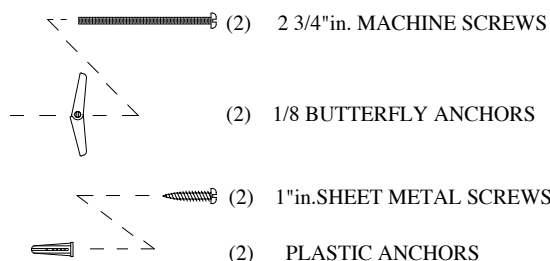
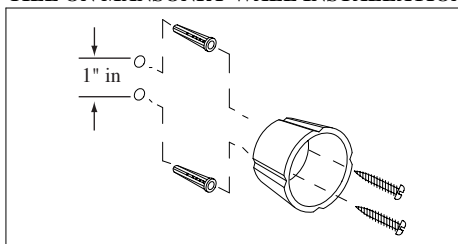


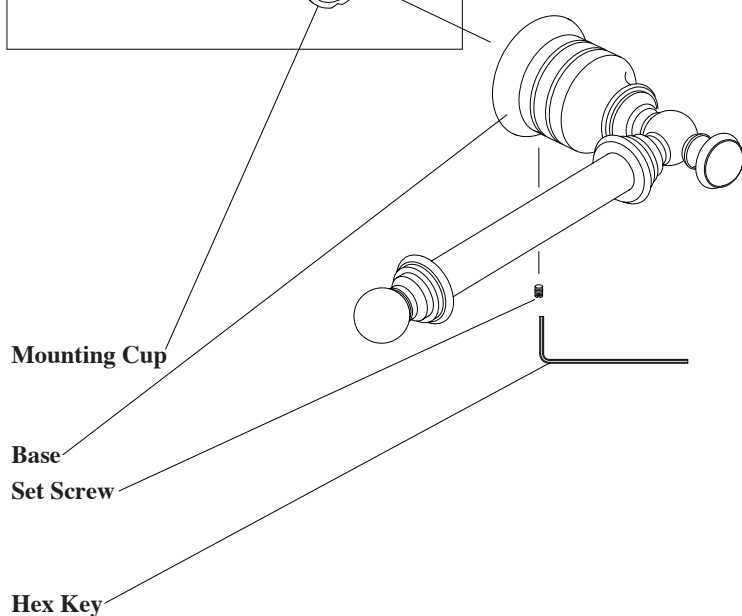
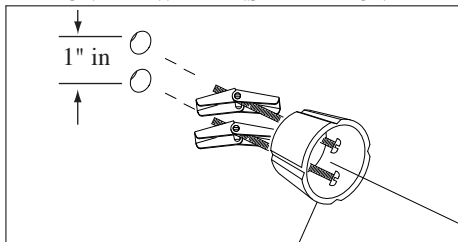
ENCLOSED HARDWARES:



WOOD WALL or MANSIONRY WALL or TILE ON MANSIONRY WALL INSTALLATION:



DRY WALL or TILE ON DRY WALL INSTALLATION:



1. Hold base of the product on desired wall location and lightly mark outline of each base. Mark two vertical dots with 1" separation at center of each marked outline.

2. Dry Wall or Tile on Dry Wall Installation: Pre-drilled holes using 3/8" drill bit. (Tile on dry wall installation requires 3/8" masonry drill bit).

Wood Wall Installation: Pre-drill holes using 1/8" drill bit.

Masonry or tile on Masonry Wall Installation: : Pre-drill holes using 3/16" masonry drill bit.

3. Dry Wall or Tile on Dry Wall Installation: Insert machine screws thru two slotted holes in mounting cup. Thread butterfly anchors into machine screws as shown in diagram. Pinch together the ends of butterfly anchors and push into pre-drilled 3/8" holes until anchors springs open on inside of wall. While pulling mounting cup away from wall, tighten screws with a screw driver.

Wood Wall Installation: Insert sheet metal screws thru two slotted holes in mounting cup. Fasten screws directly into pre-drilled 1/8" holes.

Masonry or Tile on Masonry Wall Installation: Insert plastic anchors into pre-drilled 3/16" holes. Insert sheet metal screws thru two slotted holes in mounting cup. Fasten screws into plastic anchors.

4. Mount the product onto mounting cups and tighten set screw at bottom of base with provided hex key. Set screw must check into groove on mounting cup.

Care and Cleaning Instructions:

Using a soft cloth or sponge wash with warm and soapy water. Do not use abrasive cleaners or cleaners containing bleach.